

Fence Installation

The Choice is yours With Fence Fundamentals™

CHOOSE YOUR FENCE STYLE

Whether installing preassembled panels or building with components, there is a fence style right for you. Preassembled panels make installation easier and are perfect for long runs. Components leave you with more flexibility on short runs (less than 8') and on sites that are not level.

Create your own look with:

- **Solid** – Allows for complete privacy. Used to surround swimming pools, define property lines, or cover unattractive areas. (See Gothic Privacy photo below).
- **Spaced Picket** – Ideal for defining boundaries while maintaining decorative appeal. (See Spaced Picket photo below).
- **Shadowbox** – The ideal "Good Neighbor" fence, features the same look on both sides. This style has the look of a privacy panel but allows for more air circulation. (See Shadowbox photo below).



Gothic Privacy



Shadowbox



Spaced Picket

ITEMS YOU WILL NEED

Tools	Materials
Power Saw	String
Hammer	Grade Stakes
Level	Concrete & Gravel
Post Hole Digger	Fence panels or pickets
Power Drill	Fence Posts
Tape Measure	2x4's for bracing posts
Carpenter's Pencil	Nails or Screws*

*For ACQ treated wood, use hot-dip galvanized meeting ASTM-A153/A653, 304 or 316 stainless steel or other fasteners and hardware as recommended by the manufacturer.



fence™
—FUNDAMENTALS—

PREPARATION

Check with local ordinances and regulations before building fences in your area. Before construction, contact your local utility companies to mark any underground cables and pipelines. In addition, it's a good idea to discuss plans with any neighbors along your proposed fence line.

DESIGN AND LAYOUT

- Determine the number of posts, panels, and gates needed to complete the job based on total linear footage. Take into consideration post, panel, and gate width when determining the total number of each.
- Adjust layout to accommodate as many full panels as possible. If you must use part of a panel, place in farthest rear corner of the property. Some types of preassembled panels can be trimmed to fit odd-sized layouts, but other types are difficult or impossible to cut to size.
- Locate property boundaries and drive stakes into the ground at corners and ends of fence line 6" inside property boundary.
- Stretch twine or heavy string between stakes and pull tight to mark layout of fence line.
- Be sure to measure your fence panels and gates prior to locating the post holes. Also take into consideration your chosen method of attaching the backer rails to posts (see Connecting Backer Rails to Post section). Locate post placement in the following order along string line.

- a) End/Corner Posts
- b) Gate Posts
- c) Line Posts

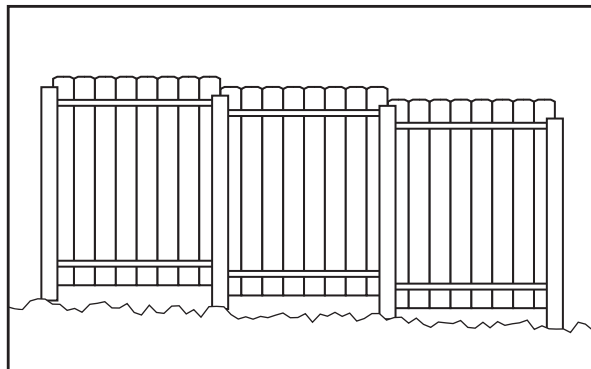
INSTALLING FENCES ON SLOPED LANDSCAPES

Fences are installed on slopes using one of two methods (see Fig. 1). Preassembled panels can only be installed using the stair step method. The fence gradually steps

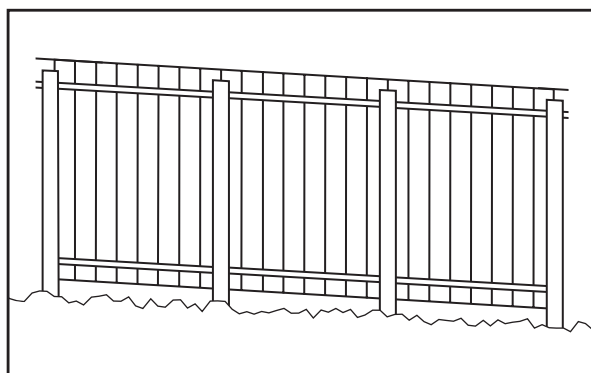
up the slope with the rails level rather than parallel to the slope.

With loose components, you have the option to use the parallel method. The rails are installed based on the degree of the slope. Since this method requires that the fence be constructed to conform to the slope, it cannot be accomplished using preassembled fence panels.

Fig. 1



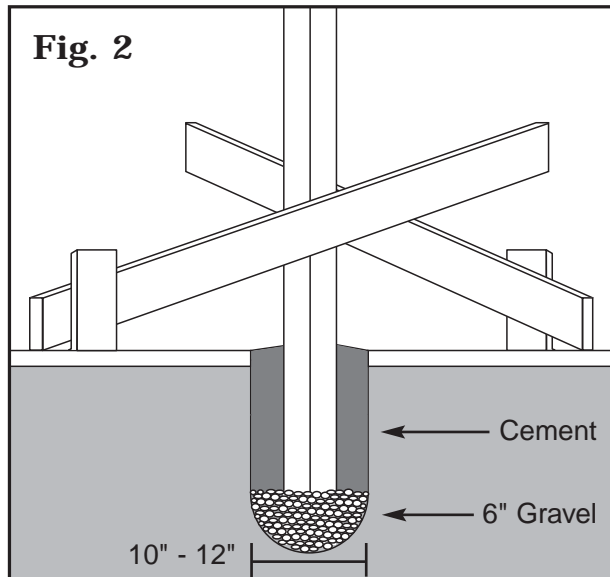
Step Method



Parallel Method

DIGGING POSTHOLES

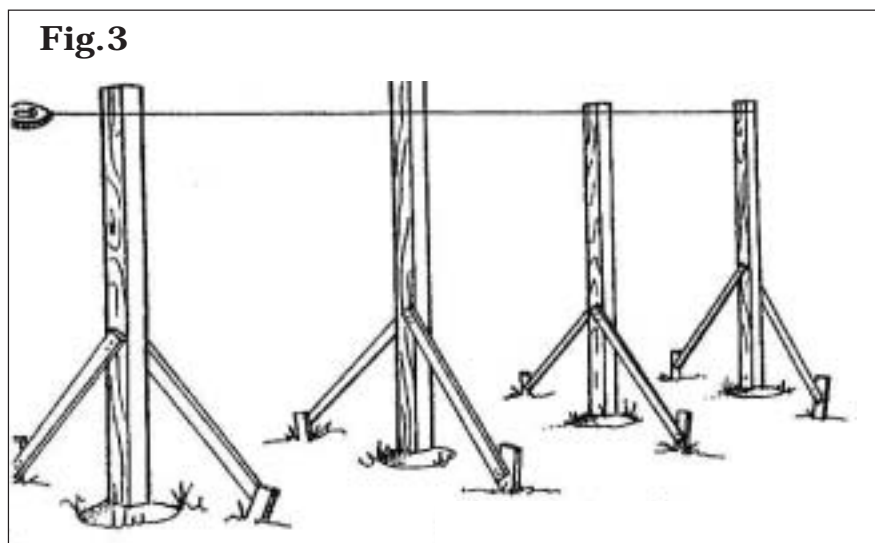
A general rule of thumb is to place 1/3 of the length of the post in the ground. The fence will be stronger if end, corner and gate posts are set at least 6" deeper. Using a posthole digger or power auger, dig the holes 10-12" wide and 6" deeper than needed. Backfill the hole with 6" of gravel to drain water away from the bottom of the post (see Fig. 2). Keep the height of your fence panels in mind when digging your postholes.



SETTING POSTS

Install end and corner posts first. Tie a string between the posts along the fence line. This establishes a reference, ensuring the posts are in line (see Fig. 3).

Brace the posts using 2x4's nailed to both the posts and stakes in the ground. This will keep them straight while the concrete sets. Check for plumb (90° angle) on two adjacent sides prior to pouring concrete. Fill holes with ready mix concrete following the package instructions. Tamp the concrete to remove any air pockets. Overfill the holes at the top and slope the concrete away from the post to keep water from collecting around it. Recheck plumb



and alignment of all posts and allow concrete to cure for 24-48 hrs.

CUTTING POSTS TO THE PROPER HEIGHT

An easy method to ensure your post tops are level is to run a string from corner post to corner post at the desired height, keeping the string taut (see Fig. 3). Mark each post at the string line and cut off the tops of the posts. Finish off your posts with one of our decorative finial tops.

INSTALLING PANELS AND PICKETS

For preassembled fence panels, use 18d to 20d nails to attach them to the posts. If possible, predrill holes through the panels to minimize any splitting from using such a large nail.

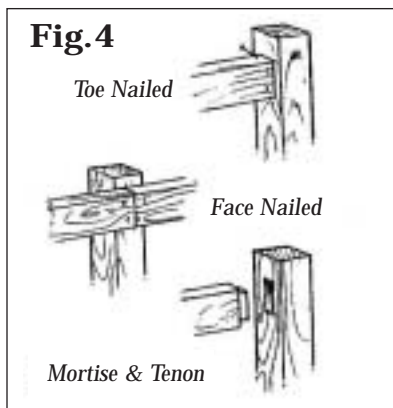
To install loose pickets to backer rails, use 8d or 10d box nails. Start at one end of the rail and check for level and plumb every 3 or 4 pickets. If you wish to build a solid "privacy" fence, butt the pickets without leaving a gap in between. To build a spaced picket fence, cut a board the width of the desired gap and use it as a spacer. Remember to check for plumb

every few pickets. Use two backer rails for shorter fences, three rails for fences 6' tall, and four rails for 8' tall fences. Backer rails should be attached on edge to prevent sagging.



CONNECTING BACKER RAILS TO POSTS

There are many ways to attach the backer rails or stringers to the posts (see Fig. 4). Place a board under pre-assembled panels to use as a lever to adjust the panel to the proper height on the post. All backer rails should run the same measurement to the ground and to each other on a horizontal plane, regardless of minor grade changes. Your finished product will be much more appealing to the eye if proper attention is giving to this detail.



GATE INSTALLATION

- Determine the swing direction of the gate (left or right hand open)
- Mount hinge hardware to gate frame at the proper height, predrilling all screw holes.
- Mount gate to gate post, predrilling all screw holes.
- Check for full gate swing clearance
- Mount latch hardware, predrilling all screw holes.

FINISHING YOUR FENCE

Applying a protective finish is recommended to prolong the life of your fence. The type of finish will be determined by the look desired as well as the species of wood used. There are three options in finishing treatments: stain,

paint, and waterproofing sealer. Start by cleaning your fence with a cleaner/brightener that contains a mildewcide prior to applying your finish.

- Stain - provides a durable finish coat while maintaining the natural look of wood. A semitransparent stain is recommended for new fences. It gives an even appearance and hint of color while allowing the grain to show through.
- Paint - adds colors as it protects and seals the fence. The color can easily be coordinated with your home. Clean, dry, and prime with oil-based primer prior to painting the fence. A durable exterior latex paint is recommended.
- Waterproofing sealer - best for woods that are not naturally resistant to decay and exposure to weather. The sealer helps prevent rain and moisture from soaking into the wood. Add a UV stabilizer to slow the discoloration process.

CARE AND MAINTENANCE

- The continuous changes in weather conditions are hard on your fence. Your maintenance plan must be geared to combat the problems caused by water absorption and loss, mildew growth, and UV discoloration.
- First Year Maintenance - reapply cleaner/brightener as described in initial maintenance, as well as your method of finish (paint, stain, or water sealer). This should be completed after 12 months.
- Future Periodic Preventative Maintenance - Depending on the location of your fence with regard to direct sun exposure, foliage coverage, etc., it may be sufficient to clean/brighten and recoat every two years. A power washer may be necessary to properly clean your fence.

The diagrams and instructions in this brochure are for illustrative purposes only, and are not meant to replace a licensed professional. Any construction or use of the product must be in accordance with all local zoning and/or building codes. The consumer assumes all risks and liability associated with the construction or use of this product. The consumer or contractor should take all necessary steps to ensure the safety of everyone involved in the project, including, but not limited to, wearing the appropriate safety equipment. Universal Forest Products, Inc., makes no warranty, either express or implied, and shall not be liable for any damages, including consequential damages.

www.ufpi.com

© 2001, 2002, 2004 Universal Forest Products® Inc.

Do More With Every Project!